

# MR-16 EDGE

## DESCRIPTION:

The MR-16 EDGE Series is designed for use in both enclosed fixtures and open fixtures where precision lighting and very high color rendering are required.

## FEATURES:

- Ideal for indoor and outdoor applications that require superior color rendering.
- Perfect for recessed downlights, track lights, wall washing, accent and in-ground lighting.
- Works with electronic and magnetic drivers.
- Dimmable with most magnetic transformers.
- Dimmable with electronic transformer part #B+L EX95101 and part #B+L FX95100, and dimmer combination Lutron DVELV-300P.
- 80% more efficient than halogen equivalent
- Equivalent to 50W halogen.
- Fits all standard fixtures designed for MR16.
- Runs cooler than other brands.
- Suitable for damp locations.
- Engineered for use in totally enclosed fixtures
- UL Listed

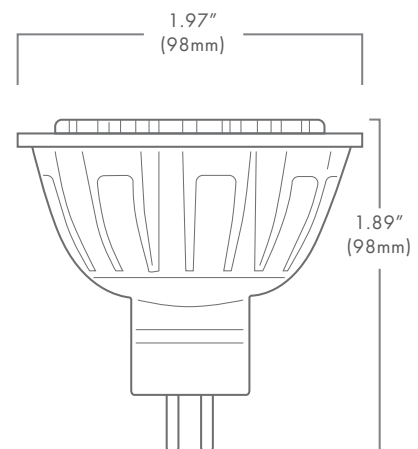
## USES:

Great for retail, restaurants, galleries, gardens, residential and commercial uses.



|                    |             |
|--------------------|-------------|
| Wattage            | 7           |
| Lumens             | 475, 496    |
| Beam Spread        | 15, 30      |
| Kelvin Temperature | 2700, 3000  |
| Operating Range    | 8-25 VAC    |
| Chipset            | CREE XPL-HI |
| CRI                | 93          |
| IP                 | 61          |
| Lamp Life (hours)  | 50,000      |
| Warranty (years)   | 5           |

PART NUMBER: MR16 EDGE 7 XXXX XX



BRILLIANCE LED®

800-867-2108 WWW.BRILLIANCELED.COM