

# MICRO G-4

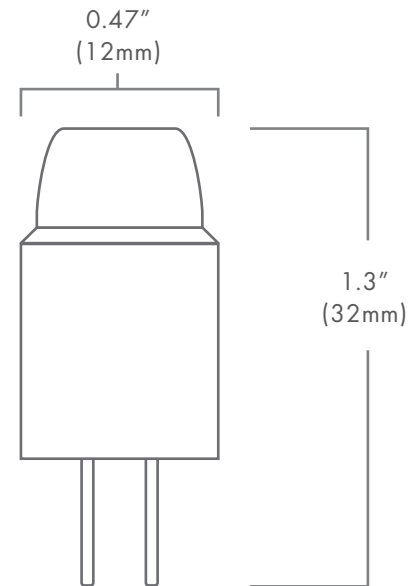
## DESCRIPTION:

The Brilliance LED Micro G-4 Bipin is a sub-compact LED that utilizes Samsung's chipset and also features Brilliance LED's multi-directional beam pattern. This Micro G-4 bipin is energy efficient and water resistant. Designed specifically for landscape retrofit, ideal for pathway lighting fixtures and step lights.

## FEATURES:

- New ceramic technology
- Dimmable with most magnetic transformers
- Available in 2700K, Red, Green, Blue & Amber

Wattage	1.2
Lumens	100
Kelvin Temperature	2700, Red, Green, Blue, Amber
Operating Range	10-14 VAC
Input Voltage	12VAC/DC
Replaces	10W Halogen
CRI	85
IP	65
Chipset	Samsung
Lamp Life (hours)	35,000
Warranty (years)	3



PART NUMBER: BRI MICRO G4 XXXX

2700  
RED  
GREEN  
BLUE  
AMBER

KELVIN/COLOR

